

# Connector

# PowerTOP Xtra R

Part Number: 14561



## MENNEKES

Elektrotechnik GmbH & Co. KG  
Aloys-Mennekes-Straße 1  
57399 KIRCHHUNDEM GERMANY  
[www.MENNEKES.org](http://www.MENNEKES.org)

# Product Description

- screw connection technology ErgoCONTACT®
- X-CONTACT®
- highly heat resistant contact carrier
- nickel plated contacts
- ergonomic enclosure design with nubbed grip zones
- rubberised cable gland with sealing
- strain relief and protection against kinking
- thread lock and safety slide
- area for self-adhesive labels
- the PowerTOP® Xtra R connector replaces the PowerTOP connector 3962

# Technical Details

Connector - PowerTOP Xtra R	14561
Product series	PowerTOP Xtra R
Ampere	16 A
UL-Ampere	-
Number of Poles	5 P
Clock position	4 h
Voltage	110 V
Hertz	50-60 Hz
Current Type	AC
Protection Type	IP54
Contact carrier	Nickel-plated contacts Highly heat resistant
Pilot contact	Without pilot contact
Connection	Screw terminals - ErgoCONTACT®
Screw drive contact screw	Combination head screw (PZ2 and slotted)
Conductor cross-section min.	1 mm <sup>2</sup>

Conductor cross-section max.	2.5 mm <sup>2</sup>
Cable kink protection	Integrated in cable gland
Protective grommet	Without protective grommet
Weight (net)	215 g
EAN / Identification number	4015394293958

### Permissible ambient conditions

Permanent ambient temperature min. - max.	-25 °C - +40 °C
---	-----------------

### Material properties

Hinged lid	PC similar RAL 1021 yellow
Cover	PA6 similar RAL 1021 yellow
Front part	PA6 similar RAL 1021 yellow

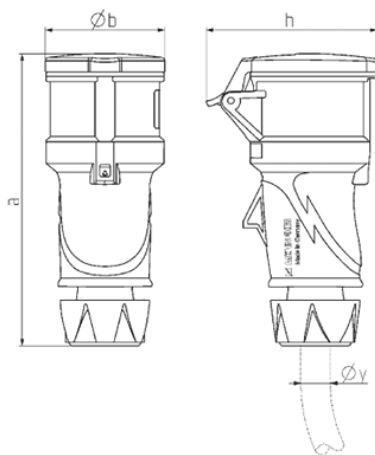
### Material resistance

The material resistance overview can be found on the website in the section "Knowledge" → "Product knowledge" → "Materials"

**Regulations and Standards**

REACH (Regulation (EG) No. 1907/2006)	Information according to article 33 REACH: SVHC: Lead (CAS: 7439-92-1)
RoHS 2011/65/EU incl. 2015/863/EU	✓
POP Regulation (EU) 2019/1021	✓
Norm(s)	IEC 60309-2
Declaration of conformity	CE
Test mark	VDE

# Dimensional drawing



Drawing	Amp. Poles	16			32		
		3	4	5	3	4	5
3 MB 79	Dim. in mm						
	a	165	177	174	211	211	209
	b	55	68	69	78	78	80
	h	72	93	98	100	100	108
	y min. from	7	8	8	10.5	10.5	13.5
	to max. mm	-13	-15.5	-15.5	-18	-18	-20
	Terminal for cond. cross	1	1	1	2.5	2.5	2.5
	section (mm <sup>2</sup> ) min.-max.	-2.5	-2.5	-2.5	-6	-6	-6